

# CS-420ES

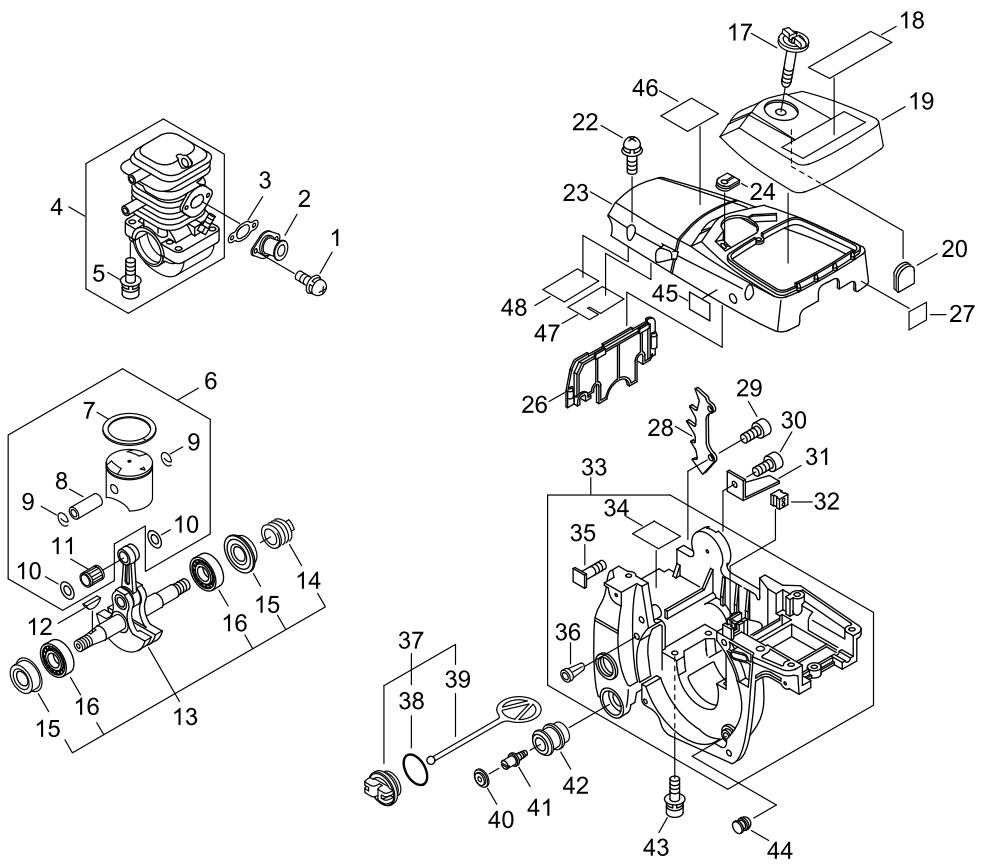
Published:11/16/2017

## TABLE OF CONTENTS

---

|                                   |    |
|-----------------------------------|----|
| CYLINDER, CRANKCASE, PISTON ..... | 1  |
| AIR CLEANER, CARBURETOR.....      | 3  |
| RECOIL STARTER, MAGNETO .....     | 5  |
| HANDLE .....                      | 7  |
| CLUTCH, SPROCKET .....            | 9  |
| AUTO-OILER.....                   | 11 |
| CARBURETOR.....                   | 13 |
| GUIDE BAR, CHAIN .....            | 15 |

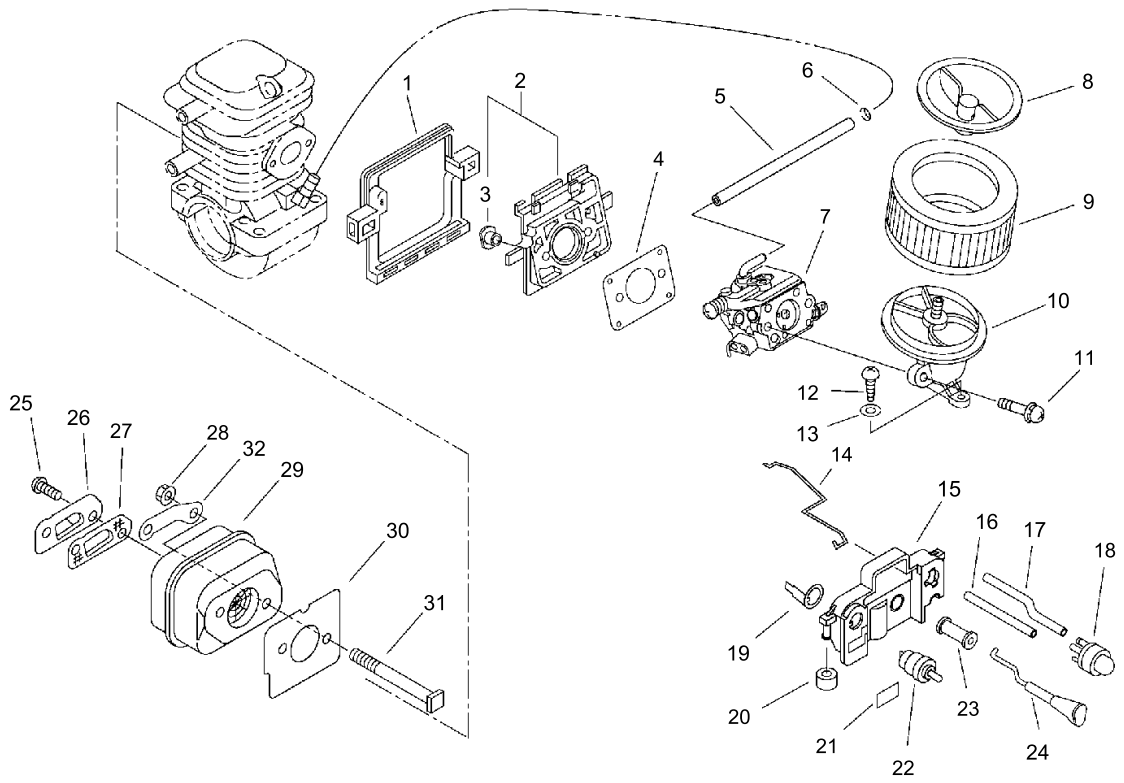
# CYLINDER, CRANKCASE, PISTON



## CYLINDER, CRANKCASE, PISTON

| KEY NO | LV(+) | Part No      | Description         | Qty | Standard     | Comment |
|--------|-------|--------------|---------------------|-----|--------------|---------|
| 1      |       | 900238-05014 | SCREW 5*14          | 2   | 5*14         |         |
| 2      |       | A202-000060  | BELLOWS, INTAKE     | 1   |              |         |
| 3      |       | V103-000290  | GASKET,INTAKE       | 1   | NP4200 T1.0  |         |
| 4      |       | P021-017360  | CRANKCASE SET       | 1   |              |         |
| 5      | +     | 900162-05022 | BOLT, H.S. 5*22     | 4   | 5*22 W,SW    |         |
| 6      |       | P021-036520  | PISTON KIT          | 1   |              |         |
| 7      | +     | A101-000160  | RING, PISTON        | 1   | 40*B1.5*T1.8 |         |
| 8      | +     | V607-000000  | PIN,ENG 9           | 1   |              |         |
| 9      | +     | 100015-03931 | CIRCLIP, PISTON PIN | 2   |              |         |
| 10     | +     | 100014-53630 | SPACER, PISTON PIN  | 2   |              |         |
| 11     | +     | 100012-16131 | BEARING, NEEDLE     | 1   |              |         |
| 12     |       | 100142-12330 | KEY, WOODRUFF       | 1   |              |         |
| 13     |       | P021-013621  | CRANKSHAFT ASY      | 1   |              |         |
| 14     | +     | V652-000030  | GEAR,WORM           | 1   |              |         |
| 15     | +     | V505-000011  | SEAL,OIL 12         | 2   | 12*32*5.5    |         |
| 16     | +     | 900888-36201 | BEARING, BALL 6201  | 2   | 6201         |         |
| 17     |       | A235-000020  | KNOB,CLEANER LID    | 1   |              |         |
| 18     |       | X503-008450  | LABEL,MODEL         | 1   | CS-420ES     |         |
| 19     |       | A232-000023  | LID,CLEANER         | 1   |              |         |
| 19     |       | A232-000024  | LID,CLEANER         | 1   |              |         |
| 20     |       | 130338-32430 | PLUG, COVER         | 1   |              |         |
| 22     |       | 900238-05020 | SCREW 5*20          | 3   | 5*20         |         |
| 23     |       | A160-000764  | COVER,CYLINDER      | 1   |              |         |
| 24     |       | V135-000010  | GROMMET,HT CORD     | 1   |              |         |
| 26     |       | A209-000000  | PLATE,INSULATOR     | 1   |              |         |
| 27     |       | X524-001900  | LABEL               | 1   |              |         |
| 28     |       | C304-000010  | SPIKED              | 1   |              |         |
| 29     |       | 91145-05020  | BOLT HS TAPPING     | 2   | 5*20         |         |
| 30     |       | 91145-05016  | BOLT HS TAPPING     | 1   | 5*16         |         |
| 31     |       | C310-000000  | CATCHER, CHAIN      | 1   |              |         |
| 32     |       | 150114-04920 | BUSHING             | 1   |              |         |
| 33     |       | P021-009857  | COVER ENGINE ASY    | 1   |              |         |
| 34     | +     | V341-000050  | WASHER,SQUARE       | 1   |              |         |
| 35     | +     | 433011-19831 | STUD, GUIDE BAR     | 2   |              |         |
| 36     | +     | 436114-13930 | VALVE, CHECK        | 1   |              |         |
| 37     |       | P021-007630  | CAP ASY,TANK        | 1   |              |         |
| 38     | +     | 900721-00025 | O-RING 25           | 1   | G-25         |         |
| 39     | +     | A365-000050  | CONNECTOR,CAP       | 1   |              |         |
| 40     |       | 100918-15130 | CAP                 | 4   |              |         |
| 41     |       | 100915-33930 | SCREW               | 2   |              |         |
| 42     |       | 100910-60030 | CUSHION             | 2   |              |         |
| 43     |       | 900162-05030 | BOLT, H.S. 5*30     | 4   | 5*30 W,SW    |         |
| 44     |       | V420-001250  | CUSHION             | 2   |              |         |
| 45     |       | 890631-38130 | LABEL, CAUTION      | 1   |              |         |
| 46     |       | 890345-39230 | LABEL,CAUTION       | 1   |              |         |
| 47     |       | V341-000060  | WASHER,SQUARE       | 1   |              |         |
| 48     |       | V341-000070  | WASHER,SQUARE       | 1   |              |         |

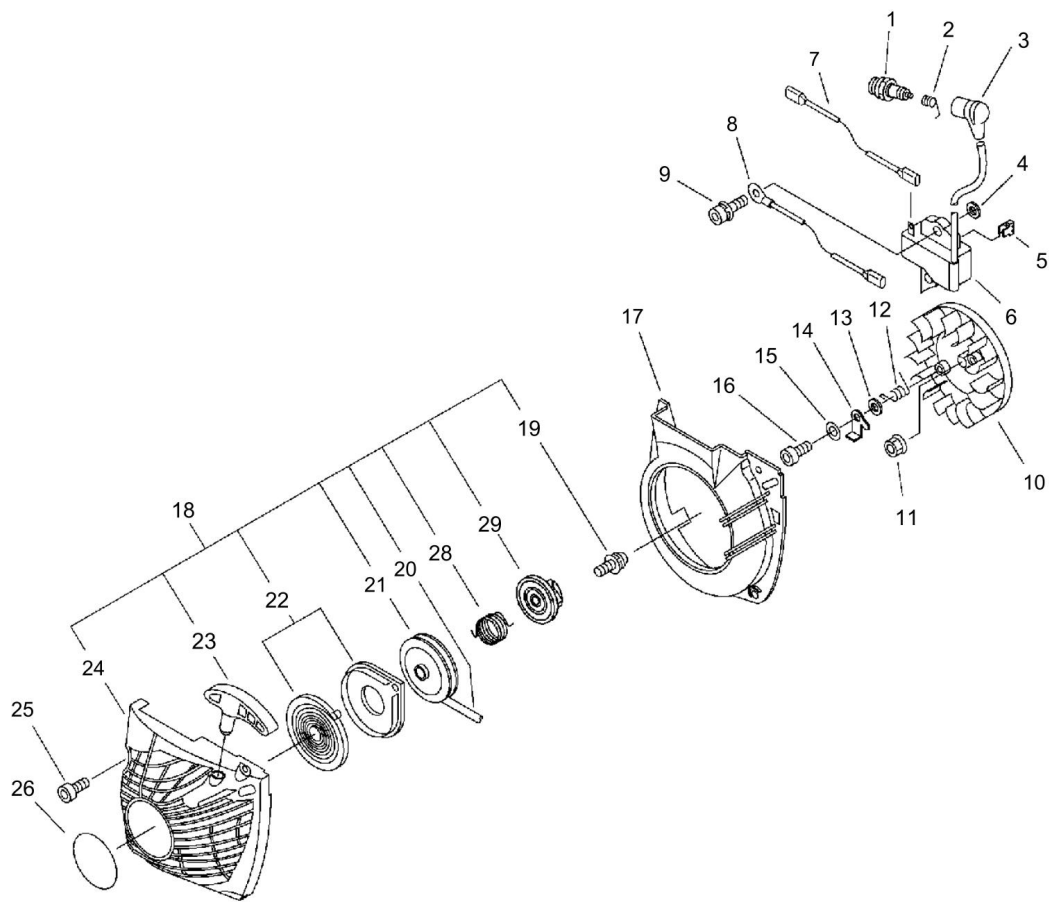
# AIR CLEANER, CARBURETOR



## AIR CLEANER, CARBURETOR

| KEY NO | LV(+) | Part No      | Description              | Qty | Standard    | Comment |
|--------|-------|--------------|--------------------------|-----|-------------|---------|
| 1      |       | V420-001420  | CUSHION                  | 1   |             |         |
| 2      |       | 130007-39932 | INSULATOR                | 1   |             |         |
| 3      | +     | 130020-33330 | NUT                      | 2   |             |         |
| 4      |       | V103-000280  | GASKET,INTAKE            | 1   | NP4200 T1.0 |         |
| 5      |       | V471-001600  | PIPE                     | 1   | 2.4*6*105   |         |
| 6      |       | 132013-09820 | CLIP                     | 1   | 6MM         |         |
| 7      |       | A021-001900  | CARBURETOR,<br>DIAPHRAGM | 1   |             |         |
| 8      |       | 130405-38332 | BRACKET, AIR CLEANER     | 1   |             |         |
| 9      |       | 130300-39730 | CLEANER ASM., AIR        | 1   |             |         |
| 10     |       | 130301-39935 | ADAPTER, INTAKE          | 1   | ID #1230    |         |
| 11     |       | 900238-05050 | SCREW 5*50               | 2   | 5*50        |         |
| 12     |       | 900253-05020 | SCREW 5*20               | 1   | 5*20        |         |
| 13     |       | 900600-00005 | WASHER 5                 | 1   | 5           |         |
| 14     |       | C454-000100  | ROD, THROTTLE            | 1   |             |         |
| 15     |       | A439-000145  | BRACKET,SWITCH           | 1   |             |         |
| 16     |       | V471-001280  | PIPE                     | 1   | 2.4*5*105   |         |
| 17     |       | V471-001470  | PIPE                     | 1   | 2.4*5*200   |         |
| 18     |       | 123181-39130 | PUMP, PRIMER             | 1   |             |         |
| 19     |       | V486-000021  | TERMINAL,LEAD            | 1   |             |         |
| 20     |       | 351134-39930 | CUSHION                  | 2   |             |         |
| 21     |       | 890157-39130 | LABEL, SWITCH            | 1   |             |         |
| 22     |       | 163400-38330 | SWITCH, IGNITION         | 1   |             |         |
| 23     |       | 178810-14534 | GROMMET                  | 1   |             |         |
| 24     |       | A241-000140  | KNOB, CHOKE              | 1   |             |         |
| 25     |       | 900220-04008 | SCREW 4*8                | 2   | 4*8         |         |
| 26     |       | A313-000811  | GUIDE, EXHAUST           | 1   | ID#1260     |         |
| 27     |       | A310-000060  | SCREEN, ARRESTOR         | 1   |             |         |
| 28     |       | 900516-00005 | NUT, FRANGE 5            | 2   | 5           |         |
| 29     |       | A300-000680  | MUFFLER, EXHAUST         | 1   |             |         |
| 30     |       | V104-000732  | GASKET,EXHAUST           | 1   |             |         |
| 31     |       | V203-000220  | BOLT,5                   | 2   |             |         |
| 32     |       | V150-001820  | PLATE,EYE                | 1   |             |         |

# RECOIL STARTER, MAGNETO

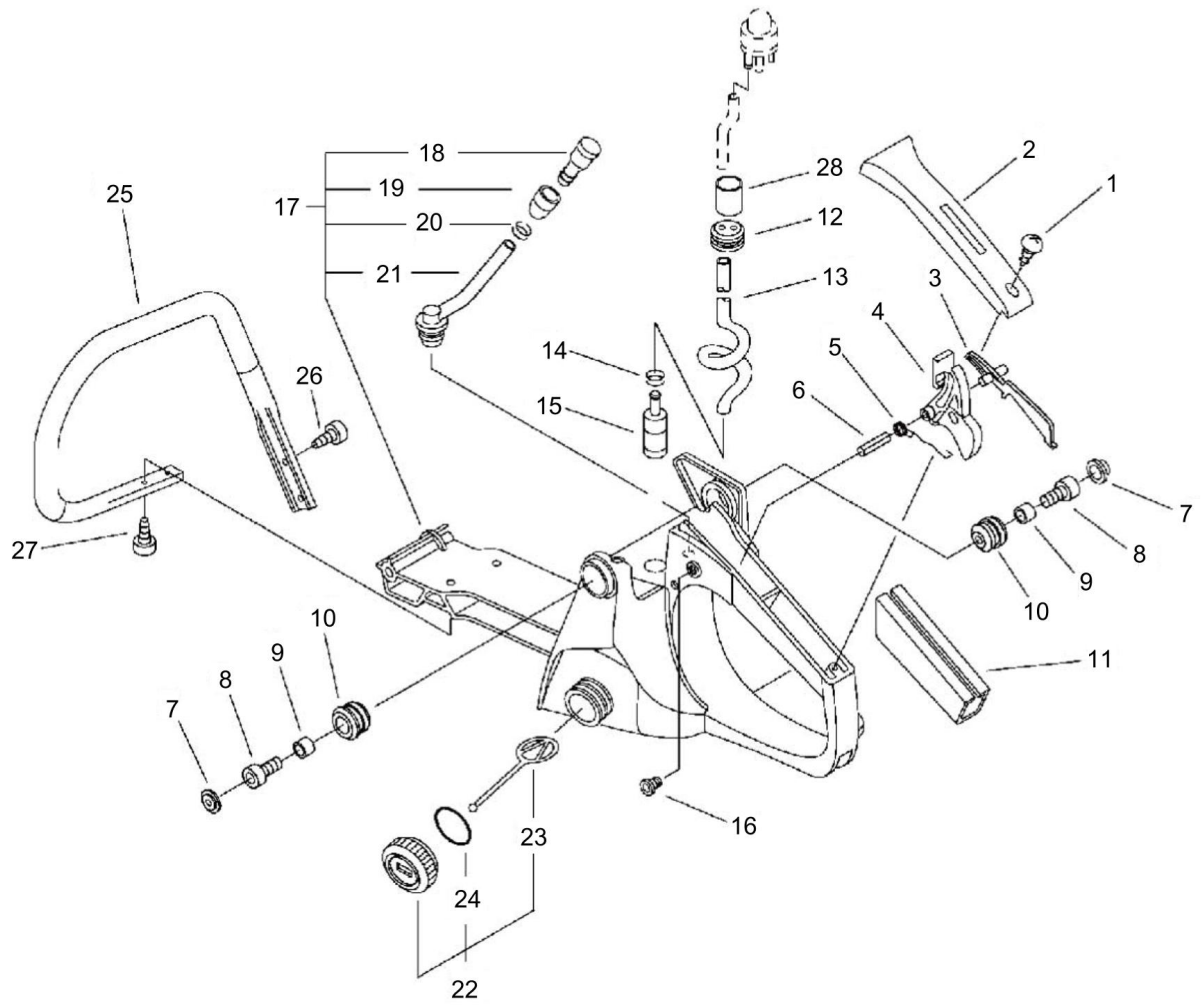


## RECOIL STARTER, MAGNETO

| KEY NO | LV(+) | Part No      | Description        | Qty | Standard   | Comment                |
|--------|-------|--------------|--------------------|-----|------------|------------------------|
| 1      |       | A425-000000  | SPARKPLUG          | 1   | BPMR8Y     |                        |
| 2      |       | A426-000010  | TERMINAL,SPARKPLUG | 1   |            |                        |
| 3      |       | A427-000013  | CAP,SPARK PLUG     | 1   |            |                        |
| 4      |       | 150117-16430 | SPACER             | 2   |            |                        |
| 5      |       | V490-000310  | CLIP               | 1   |            |                        |
| 6      |       | A411-000264  | COIL, IGNITION     | 1   |            |                        |
| 7      |       | V485-000680  | LEAD               | 1   |            |                        |
| 8      |       | V485-000620  | LEAD               | 1   | L=140      |                        |
| 9      |       | 900162-05020 | BOLT, H.S. 5*20    | 2   | 5*20 W,SW  |                        |
| 10     |       | A409-000272  | ROTOR, MAGNETO     | 1   | FW-46      |                        |
| 11     |       | 900515-00008 | NUT, FLANGE 8      | 1   | 8          |                        |
| 12     |       | 177234-35430 | SPRING, RETURN     | 2   |            |                        |
| 13     |       | 177247-04630 | SPACER, RATCHET    | 2   | 5.2*8*2.1  |                        |
| 14     |       | A514-000050  | PAWL               | 2   |            |                        |
| 15     |       | 900603-00005 | WASHER 5           | 2   | 5.5*12*0.8 |                        |
| 16     |       | V203-000090  | BOLT,5             | 2   | M5*14      |                        |
| 17     |       | A172-000572  | COVER,FAN          | 1   |            | SUS. BY<br>A172-000573 |
| 17     |       | A172-000573  | COVER,FAN          | 1   |            |                        |
| 18     |       | A051-000982  | STARTER,RECOIL ASY | 1   |            |                        |
| 19     | +     | 177236-61830 | SCREW              | 1   |            |                        |
| 28     | +     | V452-001320  | SPRING,TORSION     | 1   |            |                        |
| 29     | +     | A507-000110  | CATCHER,PAWL       | 1   |            |                        |
| 20     | +     | P022-008440  | ROPE, STARTER      | 1   | 3.5*900    |                        |
| 21     | +     | A506-000460  | REEL,ROPE          | 1   |            |                        |
| 22     | +     | P022-010440  | SPRING KIT, REWIND | 1   |            |                        |
| 23     | +     | P022-005891  | GRIP, STARTER      | 1   |            |                        |
| 24     | +     | A500-000421  | CASE,STARTER       | 1   |            |                        |
| 25     |       | 91145-05020  | BOLT HS TAPPING    | 4   | 5*20       |                        |
| 26     |       | X502-000410  | LABEL,ECHO         | 1   |            |                        |



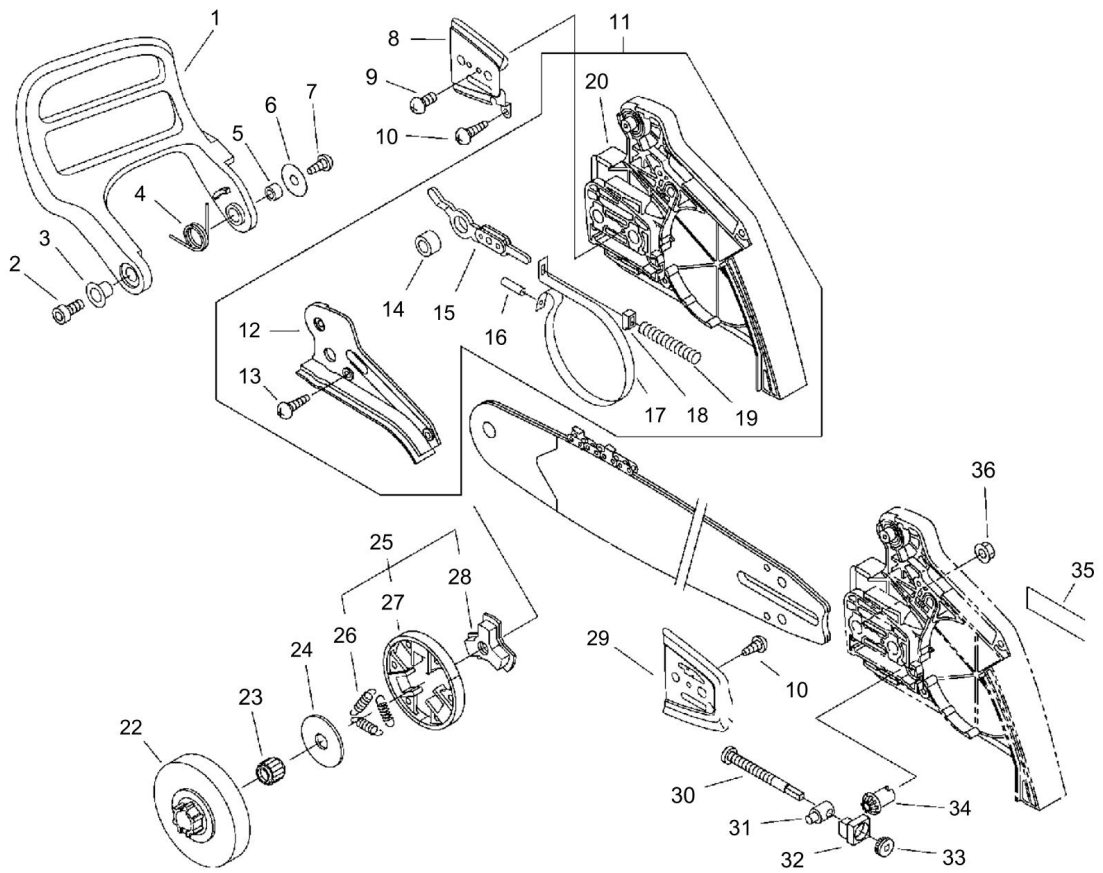
# HANDLE



## HANDLE

| KEY NO | LV(+) | Part No      | Description         | Qty | Standard | Comment |
|--------|-------|--------------|---------------------|-----|----------|---------|
| 1      |       | 900253-04014 | SCREW 4*14          | 1   | 4*14     |         |
| 2      |       | 351155-35430 | COVER, HANDLE (BL)  | 1   |          |         |
| 3      |       | C460-000072  | LOCKOUT, THROTTLE   | 1   |          |         |
| 4      |       | C450-000212  | CONTROL, THROTTLE   | 1   |          |         |
| 5      |       | V452-000260  | SPRING,TORSION      | 1   |          |         |
| 6      |       | 900345-40030 | PIN, SPRING 4*30SUS | 1   | 4*30SUS  |         |
| 7      |       | 100918-15130 | CAP                 | 2   |          |         |
| 8      |       | 900105-04020 | BOLT, H.S. 4*20     | 2   | 4*20     |         |
| 9      |       | 100915-15131 | SUPPORTER, CUSHION  | 2   |          |         |
| 10     |       | V400-000051  | CUSHION,4           | 2   |          |         |
| 11     |       | 351111-19830 | GRIP, HANDLE        | 1   |          |         |
| 12     |       | 132115-44330 | GROMMET             | 1   |          |         |
| 13     |       | 132010-00760 | PIPE, FUEL          | 1   | 3*5*250L |         |
| 14     |       | 132013-09820 | CLIP                | 1   | 6MM      |         |
| 15     |       | 131205-19831 | STRAINER, FUEL      | 1   |          |         |
| 16     |       | V162-000040  | PLUG                | 1   |          |         |
| 17     |       | P021-010593  | HANDLE SET, REAR    | 1   |          |         |
| 18     | +     | 131300-56431 | VENT ASSEMBLY, FUEL | 1   |          |         |
| 19     | +     | 131328-40630 | COVER, VENT         | 1   |          |         |
| 20     | +     | 132013-26630 | CLIP                | 1   | 6.5MM    |         |
| 21     | +     | 132012-39931 | PIPE                | 1   | 3*6*65   |         |
| 22     |       | P021-010601  | FUEL CAP ASY        | 1   |          |         |
| 23     | +     | A365-000050  | CONNECTOR,CAP       | 1   |          |         |
| 24     | +     | V581-000610  | RING,O              | 1   | P22      |         |
| 24     | +     | V581-000610  | RING,O              | 1   | P22      |         |
| 25     |       | C400-000431  | HANDLE, FRONT       | 1   |          |         |
| 26     |       | 91145-05020  | BOLT HS TAPPING     | 2   | 5*20     |         |
| 27     |       | 91145-05016  | BOLT HS TAPPING     | 2   | 5*16     |         |
| 28     |       | V475-003970  | TUBE                | 1   |          |         |

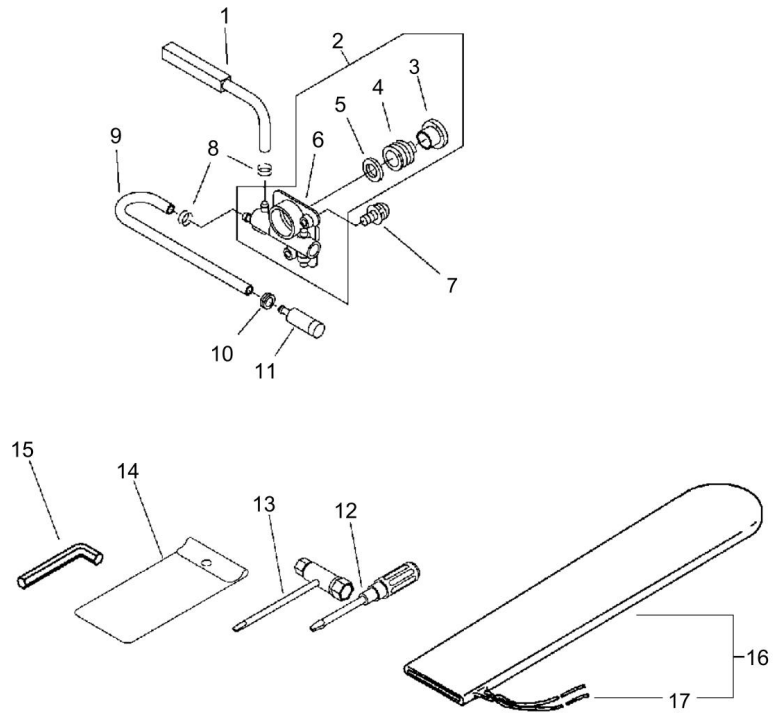
# CLUTCH, SPROCKET



## CLUTCH, SPROCKET

| KEY NO | LV(+) | Part No      | Description             | Qty | Standard    | Comment                |
|--------|-------|--------------|-------------------------|-----|-------------|------------------------|
| 1      |       | C320-000113  | LEVER, BRAKE            | 1   |             |                        |
| 2      |       | 91145-05016  | BOLT HS TAPPING         | 1   | 5*16        |                        |
| 3      |       | V356-000300  | COLLAR,10               | 1   |             |                        |
| 4      |       | V452-000250  | SPRING,TORSION          | 1   |             |                        |
| 5      |       | 433116-35430 | SPACER 8                | 1   | 8*12*9      |                        |
| 6      |       | 177214-03930 | WASHER                  | 1   |             |                        |
| 7      |       | V202-000070  | BOLT,4                  | 1   |             |                        |
| 8      |       | C305-000012  | PLATE,SPROCKET<br>GUARD | 1   |             |                        |
| 9      |       | 91325-03005  | SCREW                   | 1   |             |                        |
| 10     |       | V202-000060  | BOLT,4                  | 2   | 4*12        |                        |
| 11     |       | C032-000283  | BRAKE ASY, CHAIN        | 1   |             | SUS. BY<br>P021-017220 |
| 11     |       | P021-017220  | BRAKE ASY, CHAIN        | 1   |             |                        |
| 12     | +     | C345-000211  | COVER,BRAKE             | 1   |             |                        |
| 13     | +     | V202-000060  | BOLT,4                  | 3   | 4*12        |                        |
| 14     | +     | 433116-35430 | SPACER 8                | 1   | 8*12*9      |                        |
| 15     | +     | C334-000090  | CONNECTOR, BRAKE        | 1   |             |                        |
| 16     | +     | 93050-30098  | ROLLER                  | 1   | F3*9.8      |                        |
| 17     | +     | C328-000080  | BAND, BRAKE             | 1   |             |                        |
| 18     | +     | V376-000450  | SPACER                  | 1   |             |                        |
| 19     | +     | V450-000070  | SPRING,COMPRESSION      | 1   |             |                        |
| 20     | +     | C300-000313  | GUARD, SPROCKET         | 1   |             |                        |
| 22     |       | A556-000480  | DRUM, CLUTCH            | 1   |             |                        |
| 23     |       | 175012-00831 | BEARING, NEEDLE         | 1   |             |                        |
| 24     |       | 175019-39430 | PLATE, CLUTCH           | 1   |             |                        |
| 25     |       | A056-000180  | CLUTCH ASY              | 1   |             |                        |
| 26     | +     | V451-000500  | SPRING,TENSION          | 3   |             |                        |
| 27     | +     | P021-007050  | CLUTCH SHOE SET         | 1   |             |                        |
| 28     | +     | A552-000070  | HUB, CLUTCH             | 1   |             |                        |
| 29     |       | 433012-39930 | PLATE, GUIDE            | 1   |             |                        |
| 30     |       | V203-000110  | BOLT,5                  | 1   |             |                        |
| 31     |       | C309-000030  | TENSIONER,CHAIN         | 1   |             |                        |
| 32     |       | V355-000270  | COLLAR,8                | 1   |             |                        |
| 33     |       | V651-000011  | GEAR,BEVEL              | 1   |             |                        |
| 34     |       | V651-000001  | GEAR,BEVEL              | 1   |             |                        |
| 35     |       | X502-000340  | LABEL,ECHO              | 1   | ECHO(WHITE) |                        |
| 36     |       | 433019-12330 | NUT, FLANGE 8           | 2   | M-8         |                        |

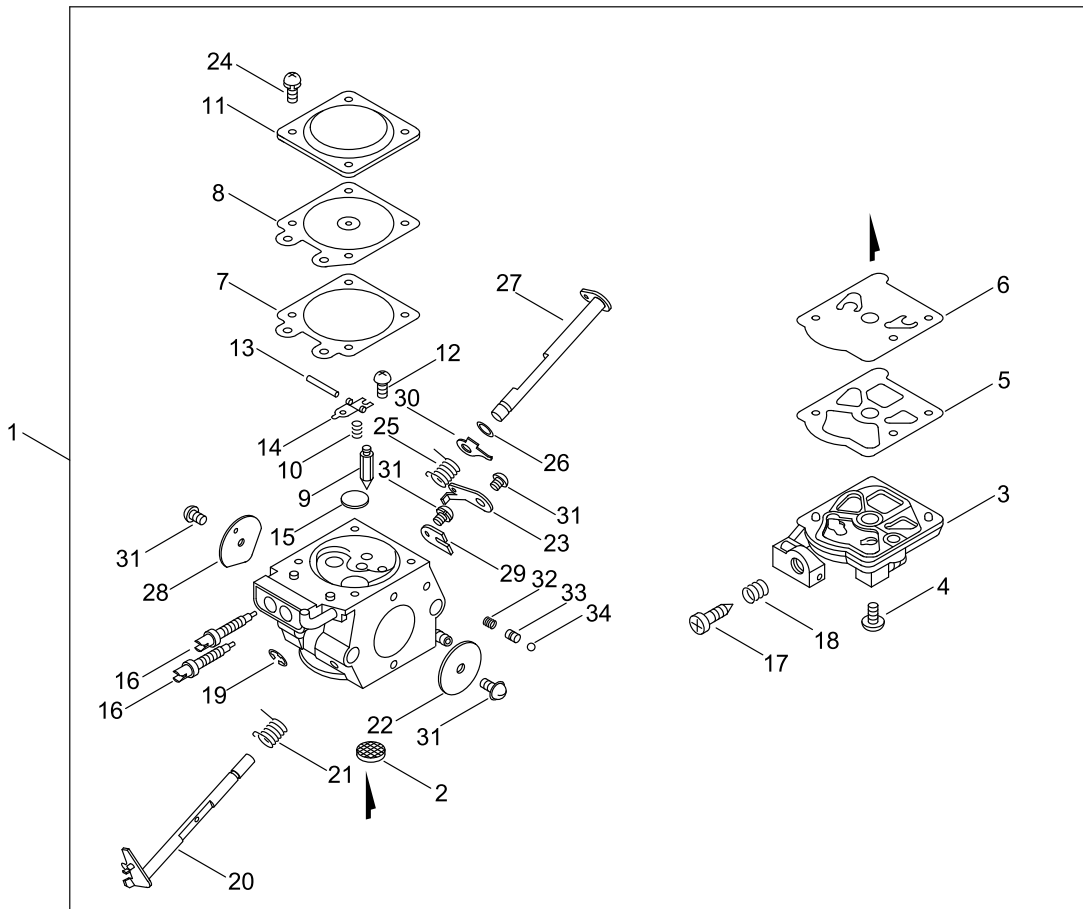
# AUTO-OILER



## AUTO-OILER

| KEY NO | LV(+) | Part No      | Description         | Qty | Standard      | Comment |
|--------|-------|--------------|---------------------|-----|---------------|---------|
| 1      |       | 437210-39931 | PIPE                | 1   |               |         |
| 2      |       | P021-012150  | AUTO-OILER ASY      | 1   |               |         |
| 3      | +     | V356-000390  | COLLAR,10           | 1   |               |         |
| 4      | +     | V652-000030  | GEAR,WORM           | 1   |               |         |
| 5      | +     | V308-000030  | WASHER,CIRCULAR 11  | 1   | 10.5*17.4*1.8 |         |
| 6      | +     | C022-000020  | AUTO-OILER ASSEMBLY | 1   |               |         |
| 7      |       | 900238-04012 | SCREW 4*12          | 2   | 4*12          |         |
| 8      |       | 132013-26630 | CLIP                | 1   | 6.5MM         |         |
| 9      |       | 437210-35430 | PIPE                | 1   |               |         |
| 10     |       | 132115-12330 | GROMMET             | 1   |               |         |
| 11     |       | 436205-14730 | STRAINER, OIL       | 1   |               |         |
| 12     |       | 895812-03930 | DRIVER, SCREW 50    | 1   |               |         |
| 13     |       | X602-000080  | TOOL,WRENCH         | 1   | 13*19 L180    |         |
| 14     |       | 898510-07130 | BAG, TOOL           | 1   |               |         |
| 15     |       | X605-000100  | TOOL,L WRENCH       | 1   | 4MM M5        |         |
| 16     |       | P021-014660  | SCABBARD,CHAIN      | 1   |               |         |
| 17     | +     | 898568-14530 | ROPE                | 1   | 5*900         |         |

# CARBURETOR

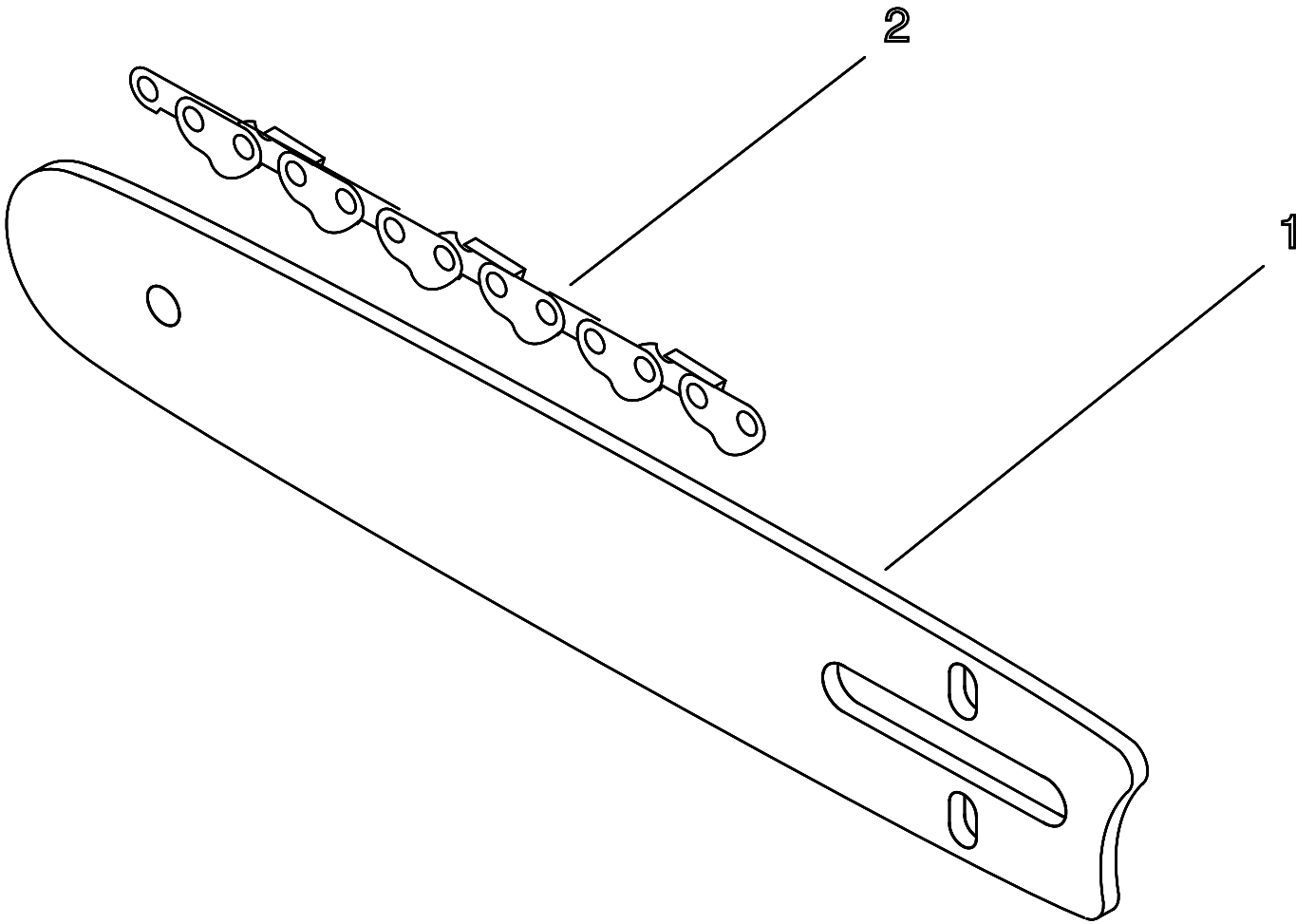


## CARBURETOR

| KEY NO | LV(+) | Part No      | Description              | Qty | Standard | Comment |
|--------|-------|--------------|--------------------------|-----|----------|---------|
| 1      |       | A021-001900  | CARBURETOR,<br>DIAPHRAGM | 1   |          |         |
| 2      | +     | 123126-10631 | SCREEN, INLET            | 1   |          |         |
| 3      | +     | P003-003930  | COVER, FUEL PUMP         | 1   |          |         |
| 4      | +     | 123110-03930 | SCREW, PUMP COVER        | 1   |          |         |
| 5      | +     | 123125-15030 | GASKET, FUEL PUMP        | 1   |          |         |
| 6      | +     | 123112-15030 | DIAPHRAGM, FUEL PUMP     | 1   |          |         |
| 7      | +     | 123140-03930 | GASKET, M. DIAPHRAGM     | 1   |          |         |
| 8      | +     | P003-001850  | DIAPHRAGM, METERING      | 1   |          |         |
| 9      | +     | 123137-19830 | VALVE, INLET NEEDLE      | 1   |          |         |
| 10     | +     | 123122-39330 | SPRING, METER. LEVER     | 1   |          |         |
| 11     | +     | 123142-03930 | COVER, M. DIAPHRAGM      | 1   |          |         |
| 12     | +     | 123139-03930 | SCREW, M. LEVER PIN      | 1   |          |         |
| 13     | +     | 123138-03930 | PIN, METERING LEVER      | 1   |          |         |
| 14     | +     | 123123-03930 | LEVER, METERING          | 1   |          |         |
| 15     | +     | 123146-10631 | PLUG, WELCH              | 1   |          |         |
| 16     | +     | P003-002270  | NEEDLE                   | 2   |          |         |
| 17     | +     | 123134-04260 | SCREW, IDLE ADJUST       | 1   |          |         |
| 18     | +     | 123133-04260 | SPRING, IDLE ADJUST      | 1   |          |         |
| 19     | +     | 123127-15030 | RING                     | 1   |          |         |
| 20     | +     | P003-003960  | SHAFT ASY, THROTTLE      | 1   |          |         |
| 21     | +     | 123113-37530 | SPRING, THROTTLE RTN     | 1   |          |         |
| 22     | +     | 123116-10530 | VALVE, THROTTLE          | 1   |          |         |
| 23     | +     | P003-001780  | LEVER, THROTTLE          | 1   |          |         |
| 24     | +     | 123130-02960 | SCREW                    | 4   |          |         |
| 25     | +     | P003-002260  | SPRING                   | 1   |          |         |
| 26     | +     | 123149-26030 | WASHER                   | 1   |          |         |
| 27     | +     | P003-000150  | CHOKE, SHAFT             | 1   |          |         |
| 28     | +     | P003-001790  | VALVE, CHOKE             | 1   |          |         |
| 29     | +     | 123127-03930 | CLIP, THROTTLE SHAFT     | 1   |          |         |
| 30     | +     | P003-001510  | LEVER-FAST IDLE          | 1   |          |         |
| 31     | +     | 123114-38830 | SCREW                    | 4   |          |         |
| 32     | +     | 123186-09660 | SPRING, START VALVE      | 1   |          |         |
| 33     | +     | 123185-09660 | PISTON ASSY              | 1   |          |         |
| 34     | +     | 123136-09660 | BALL                     | 1   |          |         |



GUIDE BAR, CHAIN



## GUIDE BAR, CHAIN

| KEY NO | LV(+) | Part No      | Description          | Qty | Standard   | Comment |
|--------|-------|--------------|----------------------|-----|------------|---------|
| 1A     |       | 430521-37333 | BAR, GUIDE 38RD58325 | 1   | 38RD58-325 |         |
| 2A     |       | 431721-30231 | CHAIN, SAW           | 1   | 21BPX-64E  |         |
| 1B     |       | 430527-37333 | BAR, GUIDE 43RD58325 | 1   | 43RD58-325 |         |
| 2B     |       | 431717-30231 | CHAIN, SAW           | 1   | 21BPX-72E  |         |

# NUMERICAL PARTS INDEX

| Part No      | Part description     | Page | Part No      | Part description     | Page | Part No      | Part description         | Page |
|--------------|----------------------|------|--------------|----------------------|------|--------------|--------------------------|------|
| 100012-16131 | BEARING, NEEDLE      | 2    | 132013-09820 | CLIP                 | 4    | 900238-05050 | SCREW 5*50               | 4    |
| 100014-53630 | SPACER, PISTON PIN   | 2    | 132013-09820 | CLIP                 | 8    | 900253-04014 | SCREW 4*14               | 8    |
| 100015-03931 | CIRCLIP, PISTON PIN  | 2    | 132013-26630 | CLIP                 | 8    | 900253-05020 | SCREW 5*20               | 4    |
| 100142-12330 | KEY, WOODRUFF        | 2    | 132013-26630 | CLIP                 | 12   | 900345-40030 | PIN, SPRING 4*30SUS      | 8    |
| 100910-60030 | CUSHION              | 2    | 132115-12330 | GROMMET              | 12   | 900515-00008 | NUT, FLANGE 8            | 6    |
| 100915-15131 | SUPPORTER, CUSHION   | 8    | 132115-44330 | GROMMET              | 8    | 900516-00005 | NUT, FRANGE 5            | 4    |
| 100915-33930 | SCREW                | 2    | 150114-04920 | BUSHING              | 2    | 900600-00005 | WASHER 5                 | 4    |
| 100918-15130 | CAP                  | 2    | 150117-16430 | SPACER               | 6    | 900603-00005 | WASHER 5                 | 6    |
| 100918-15130 | CAP                  | 8    | 163400-38330 | SWITCH, IGNITION     | 4    | 900721-00025 | O-RING 25                | 2    |
| 123110-03930 | SCREW, PUMP COVER    | 14   | 175012-00831 | BEARING, NEEDLE      | 10   | 900888-36201 | BEARING, BALL 6201       | 2    |
| 123112-15030 | DIAPHRAGM, FUEL PUMP | 14   | 175019-39430 | PLATE, CLUTCH        | 10   | 91145-05016  | BOLT HS TAPPING          | 2    |
| 123113-37530 | SPRING, THROTTLE RTN | 14   | 177214-03930 | WASHER               | 10   | 91145-05016  | BOLT HS TAPPING          | 8    |
| 123114-38830 | SCREW                | 14   | 177234-35430 | SPRING, RETURN       | 6    | 91145-05016  | BOLT HS TAPPING          | 10   |
| 123116-10530 | VALVE, THROTTLE      | 14   | 177236-61830 | SCREW                | 6    | 91145-05020  | BOLT HS TAPPING          | 2    |
| 123122-39330 | SPRING, METER. LEVER | 14   | 177247-04630 | SPACER, RATCHET      | 6    | 91145-05020  | BOLT HS TAPPING          | 6    |
| 123123-03930 | LEVER, METERING      | 14   | 178810-14534 | GROMMET              | 4    | 91145-05020  | BOLT HS TAPPING          | 8    |
| 123125-15030 | GASKET, FUEL PUMP    | 14   | 351111-19830 | GRIP, HANDLE         | 8    | 91325-03005  | SCREW                    | 10   |
| 123126-10631 | SCREEN, INLET        | 14   | 351134-39930 | CUSHION              | 4    | 93050-30098  | ROLLER                   | 10   |
| 123127-03930 | CLIP, THROTTLE SHAFT | 14   | 351155-35430 | COVER, HANDLE (BL)   | 8    | A021-001900  | CARBURETOR,<br>DIAPHRAGM | 4    |
| 123127-15030 | RING                 | 14   | 430521-37333 | BAR, GUIDE 38RD58325 | 16   | A021-001900  | CARBURETOR,<br>DIAPHRAGM | 14   |
| 123130-02960 | SCREW                | 14   | 430527-37333 | BAR, GUIDE 43RD58325 | 16   | A051-000982  | STARTER,RECOIL ASY       | 6    |
| 123133-04260 | SPRING, IDLE ADJUST  | 14   | 431717-30231 | CHAIN, SAW           | 16   | A056-000180  | CLUTCH ASY               | 10   |
| 123134-04260 | SCREW, IDLE ADJUST   | 14   | 431721-30231 | CHAIN, SAW           | 16   | A101-000160  | RING, PISTON             | 2    |
| 123136-09660 | BALL                 | 14   | 433011-19831 | STUD, GUIDE BAR      | 2    | A160-000764  | COVER,CYLINDER           | 2    |
| 123137-19830 | VALVE, INLET NEEDLE  | 14   | 433012-39930 | PLATE, GUIDE         | 10   | A172-000572  | COVER,FAN                | 6    |
| 123138-03930 | PIN, METERING LEVER  | 14   | 433019-12330 | NUT, FLANGE 8        | 10   | A172-000573  | COVER,FAN                | 6    |
| 123139-03930 | SCREW, M. LEVER PIN  | 14   | 433116-35430 | SPACER 8             | 10   | A202-000060  | BELLOWS, INTAKE          | 2    |
| 123140-03930 | GASKET, M. DIAPHRAGM | 14   | 436114-13930 | VALVE, CHECK         | 2    | A209-000000  | PLATE,INSULATOR          | 2    |
| 123142-03930 | COVER, M. DIAPHRAGM  | 14   | 436205-14730 | STRAINER, OIL        | 12   | A232-000023  | LID,CLEANER              | 2    |
| 123146-10631 | PLUG, WELCH          | 14   | 437210-35430 | PIPE                 | 12   | A232-000024  | LID,CLEANER              | 2    |
| 123149-26030 | WASHER               | 14   | 437210-39931 | PIPE                 | 12   | A235-000020  | KNOB,CLEANER LID         | 2    |
| 123181-39130 | PUMP, PRIMER         | 4    | 890157-39130 | LABEL, SWITCH        | 4    | A241-000140  | KNOB, CHOKE              | 4    |
| 123185-09660 | PISTON ASSY          | 14   | 890345-39230 | LABEL,CAUTION        | 2    | A300-000680  | MUFFLER, EXHAUST         | 4    |
| 123186-09660 | SPRING, START VALVE  | 14   | 890631-38130 | LABEL, CAUTION       | 2    | A310-000060  | SCREEN, ARRESTOR         | 4    |
| 130007-39932 | INSULATOR            | 4    | 895812-03930 | DRIVER, SCREW 50     | 12   | A313-000811  | GUIDE, EXHAUST           | 4    |
| 130020-33330 | NUT                  | 4    | 898510-07130 | BAG, TOOL            | 12   | A365-000050  | CONNECTOR,CAP            | 2    |
| 130300-39730 | CLEANER ASM., AIR    | 4    | 898568-14530 | ROPE                 | 12   | A365-000050  | CONNECTOR,CAP            | 8    |
| 130301-39935 | ADAPTER, INTAKE      | 4    | 900105-04020 | BOLT, H.S. 4*20      | 8    | A409-000272  | ROTOR, MAGNETO           | 6    |
| 130338-32430 | PLUG, COVER          | 2    | 900162-05020 | BOLT, H.S. 5*20      | 6    | A411-000264  | COIL, IGNITION           | 6    |
| 130405-38332 | BRACKET, AIR CLEANER | 4    | 900162-05022 | BOLT, H.S. 5*22      | 2    | A425-000000  | SPARKPLUG                | 6    |
| 131205-19831 | STRAINER, FUEL       | 8    | 900162-05030 | BOLT, H.S. 5*30      | 2    | A426-000010  | TERMINAL,SPARKPLUG       | 6    |
| 131300-56431 | VENT ASSEMBLY, FUEL  | 8    | 900220-04008 | SCREW 4*8            | 4    | A427-000013  | CAP,SPARK PLUG           | 6    |
| 131328-40630 | COVER, VENT          | 8    | 900238-04012 | SCREW 4*12           | 12   | A439-000145  | BRACKET,SWITCH           | 4    |
| 132010-00760 | PIPE, FUEL           | 8    | 900238-05014 | SCREW 5*14           | 2    | A500-000421  | CASE,STARTER             | 6    |
| 132012-39931 | PIPE                 | 8    | 900238-05020 | SCREW 5*20           | 2    |              |                          |      |

# NUMERICAL PARTS INDEX

| Part No     | Part description        | Page | Part No     | Part description   | Page | Part No     | Part description | Page |
|-------------|-------------------------|------|-------------|--------------------|------|-------------|------------------|------|
| A506-000460 | REEL,ROPE               | 6    | V103-000290 | GASKET,INTAKE      | 2    | X602-000080 | TOOL,WRENCH      | 12   |
| A507-000110 | CATCHER,PAWL            | 6    | V104-000732 | GASKET,EXHAUST     | 4    | X605-000100 | TOOL,L WRENCH    | 12   |
| A514-000050 | PAWL                    | 6    | V135-000010 | GROMMET,HT CORD    | 2    |             |                  |      |
| A552-000070 | HUB, CLUTCH             | 10   | V150-001820 | PLATE,EYE          | 4    |             |                  |      |
| A556-000480 | DRUM, CLUTCH            | 10   | V162-000040 | PLUG               | 8    |             |                  |      |
| C022-000020 | AUTO-OILER ASSEMBLY     | 12   | V202-000060 | BOLT,4             | 10   |             |                  |      |
| C032-000283 | BRAKE ASY, CHAIN        | 10   | V202-000070 | BOLT,4             | 10   |             |                  |      |
| C300-000313 | GUARD, SPROCKET         | 10   | V203-000090 | BOLT,5             | 6    |             |                  |      |
| C304-000010 | SPIKED                  | 2    | V203-000110 | BOLT,5             | 10   |             |                  |      |
| C305-000012 | PLATE,SPROCKET<br>GUARD | 10   | V203-000220 | BOLT,5             | 4    |             |                  |      |
| C309-000030 | TENSIONER,CHAIN         | 10   | V308-000030 | WASHER,CIRCULAR 11 | 12   |             |                  |      |
| C310-000000 | CATCHER, CHAIN          | 2    | V341-000050 | WASHER,SQUARE      | 2    |             |                  |      |
| C320-000113 | LEVER, BRAKE            | 10   | V341-000060 | WASHER,SQUARE      | 2    |             |                  |      |
| C328-000080 | BAND, BRAKE             | 10   | V341-000070 | WASHER,SQUARE      | 2    |             |                  |      |
| C334-000090 | CONNECTOR, BRAKE        | 10   | V355-000270 | COLLAR,8           | 10   |             |                  |      |
| C345-000211 | COVER,BRAKE             | 10   | V356-000300 | COLLAR,10          | 10   |             |                  |      |
| C400-000431 | HANDLE, FRONT           | 8    | V356-000390 | COLLAR,10          | 12   |             |                  |      |
| C450-000212 | CONTROL, THROTTLE       | 8    | V376-000450 | SPACER             | 10   |             |                  |      |
| C454-000100 | ROD, THROTTLE           | 4    | V400-000051 | CUSHION,4          | 8    |             |                  |      |
| C460-000072 | LOCKOUT, THROTTLE       | 8    | V420-001250 | CUSHION            | 2    |             |                  |      |
| P003-000150 | CHOKE, SHAFT            | 14   | V420-001420 | CUSHION            | 4    |             |                  |      |
| P003-001510 | LEVER-FAST IDLE         | 14   | V450-000070 | SPRING,COMPRESSION | 10   |             |                  |      |
| P003-001780 | LEVER, THROTTLE         | 14   | V451-000500 | SPRING,TENSION     | 10   |             |                  |      |
| P003-001790 | VALVE, CHOKE            | 14   | V452-000250 | SPRING,TORSION     | 10   |             |                  |      |
| P003-001850 | DIAPHRAGM, METERING     | 14   | V452-000260 | SPRING,TORSION     | 8    |             |                  |      |
| P003-002260 | SPRING                  | 14   | V452-001320 | SPRING,TORSION     | 6    |             |                  |      |
| P003-002270 | NEEDLE                  | 14   | V471-001280 | PIPE               | 4    |             |                  |      |
| P003-003930 | COVER, FUEL PUMP        | 14   | V471-001470 | PIPE               | 4    |             |                  |      |
| P003-003960 | SHAFT ASY,THROTTLE      | 14   | V471-001600 | PIPE               | 4    |             |                  |      |
| P021-007050 | CLUTCH SHOE SET         | 10   | V475-003970 | TUBE               | 8    |             |                  |      |
| P021-007630 | CAP ASY,TANK            | 2    | V485-000620 | LEAD               | 6    |             |                  |      |
| P021-009857 | COVER ENGINE ASY        | 2    | V485-000680 | LEAD               | 6    |             |                  |      |
| P021-010593 | HANDLE SET, REAR        | 8    | V486-000021 | TERMINAL,LEAD      | 4    |             |                  |      |
| P021-010601 | FUEL CAP ASY            | 8    | V490-000310 | CLIP               | 6    |             |                  |      |
| P021-012150 | AUTO-OILER ASY          | 12   | V505-000011 | SEAL,OIL 12        | 2    |             |                  |      |
| P021-013621 | CRANKSHAFT ASY          | 2    | V581-000610 | RING,O             | 8    |             |                  |      |
| P021-014660 | SCABBARD,CHAIN          | 12   | V607-000000 | PIN,ENG 9          | 2    |             |                  |      |
| P021-017220 | BRAKE ASY, CHAIN        | 10   | V651-000001 | GEAR,BEVEL         | 10   |             |                  |      |
| P021-017360 | CRANKCASE SET           | 2    | V651-000011 | GEAR,BEVEL         | 10   |             |                  |      |
| P021-036520 | PISTON KIT              | 2    | V652-000030 | GEAR,WORM          | 2    |             |                  |      |
| P022-005891 | GRIP, STARTER           | 6    | V652-000030 | GEAR,WORM          | 12   |             |                  |      |
| P022-008440 | ROPE, STARTER           | 6    | X502-000340 | LABEL,ECHO         | 10   |             |                  |      |
| P022-010440 | SPRING KIT, REWIND      | 6    | X502-000410 | LABEL,ECHO         | 6    |             |                  |      |
| V103-000280 | GASKET,INTAKE           | 4    | X503-008450 | LABEL,MODEL        | 2    |             |                  |      |
|             |                         |      | X524-001900 | LABEL              | 2    |             |                  |      |